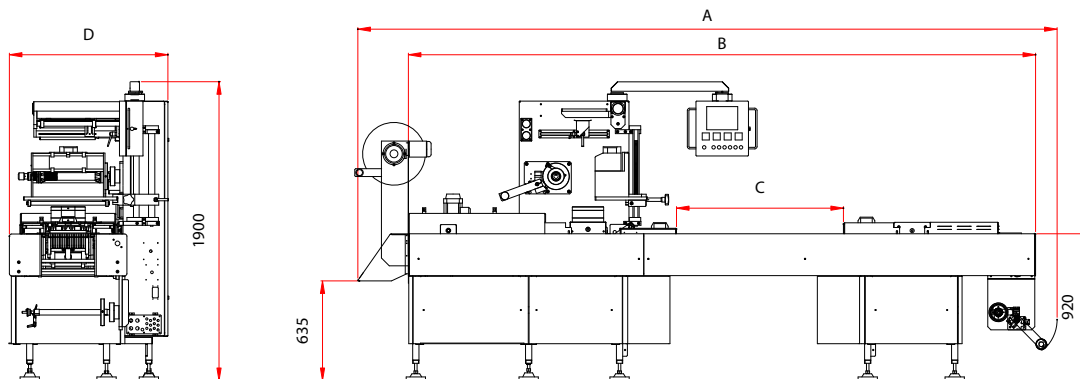




## THERA 450

Made according to EU regulations, our Thera 450 has a compact and solid body which can be located in the most confined spaces. The electrical panel, entirely made in stainless steel, has an IP65 protection to allow safe machine washing and operation in the most difficult environments.

THERA 450	320 VERSION	420 VERSION
A	4500 mm	4500 mm
B	4000 mm	4000 mm
C	900-1100 mm	900-1100 mm
D	1020 mm	1120 mm
Bottom Film Width	320 mm	420 mm
Top Film Width	300 mm	400 mm
Max. Repeat Length	300 mm	300 mm
Max. Pack Dimension	300x300 mm	400x300 mm
Max. Depth	120 mm	120 mm
Cycles/Minute	up to 18	up to 18



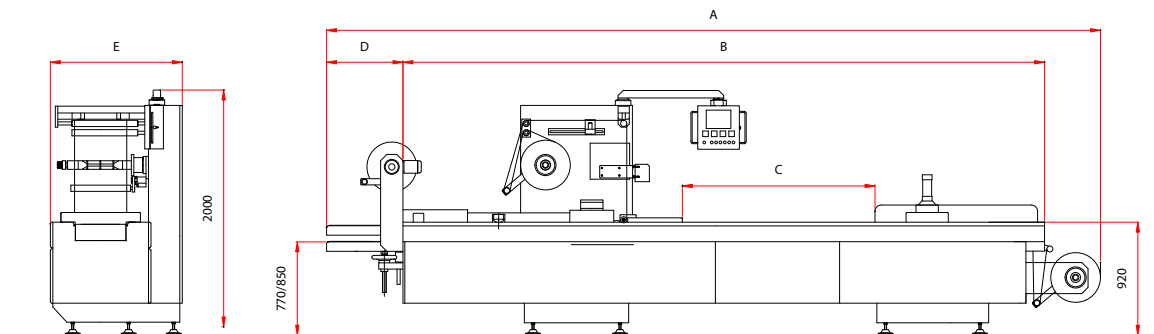


Allows Mould Change in  
2 Seconds.

## THERA 650 & THERA 650 FV

The stainless steel frame, modular structure and expandability of the Thera 650, ensure many possible technical solutions to all kinds of packaging problems.

THERA 650/650 FV	440 VERSION	560 VERSION	660 VERSION
A	6100-9100 mm	6100-9100 mm	6100-9100 mm
B	5150-7650 mm	5150-7650 mm	5150-7650 mm
C	1000-3000 mm	1000-3000 mm	1000-3000 mm
D	500-1000 mm	500-1000 mm	500-1000 mm
E	1150 mm	1270 mm	1370 mm
Bottom Film Width	320-440 mm	450-560 mm	570-660 mm
Top Film Width	300-420 mm	430-540 mm	550-640 mm
Max. Repeat Length	700 mm	700 mm	550-640 mm
Max. Pack Dimension	420x700 mm	540x700 mm	640x700 mm
Max. Depth	200 mm	200 mm	200 mm
Cycles/Minute	up to 28	up to 24	up to 20

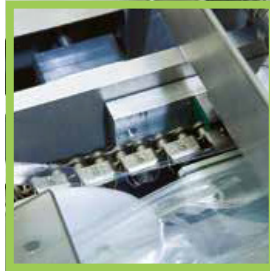


## HIGHLIGHTS

**REEL HOLDER** with pneumatic expansion, allows easy locking and reel replacement



**STAINLESS STEEL GRIPPER CHAIN**, very solid and suitable for all packaging materials. Adjustable to possible variations of the film width



**LIFTING MECHANISM** with 4 holding columns to close the chamber. It's solid structure allows the machine to process the biggest packs.



**HINGED CHAMBER** for a fast and safe mould changing by a single operator.



## HIGHLIGHTS

**SHAPED MOULDS**, realized with our 3CAD-CAM system to personalize the product and meet any customer's need.



**LONGITUDINAL CUTTING** to precisely cut the packs and allow a quick format change without wasting film. According to the different kinds of films and applications the following cutting devices are available:

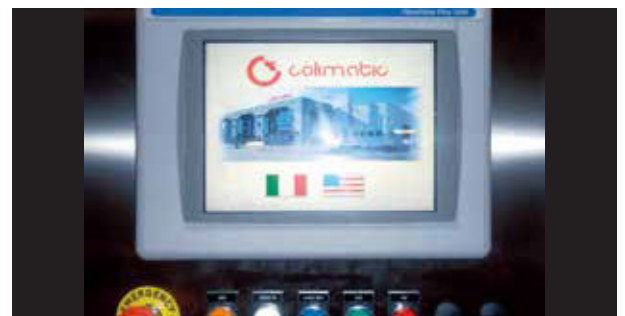
- Motorized Cutting Device
- Squeezing Cutting Device
- Scissors Cutting Device
- Integral Cutting Device (Colimatic patent n. 00250543)



**MOTORIZED SCRAPS REWINDER** to collect the lateral scraps. Quiet, performable, and suitable for many different kinds of thicknesses of film.



**TOUCH-SCREEN CONTROL PANEL**, a stainless steel case with IP 65 protection. This allows a simple and quick management of all the machine's parameters and visualization of possible anomalies. A variety of programmable operating modes are available to store up to 99 programs.

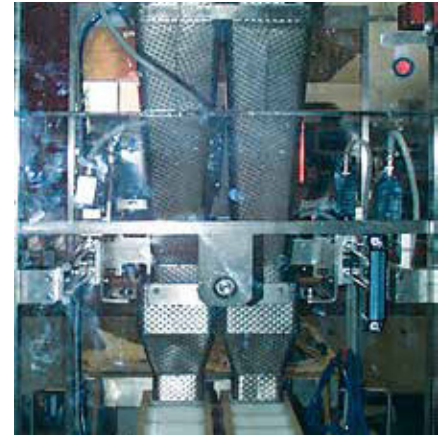




**JUMBO REEL HOLDER**



**PRINTER**



**MPD (MULTI POINT DISCHARGE)**

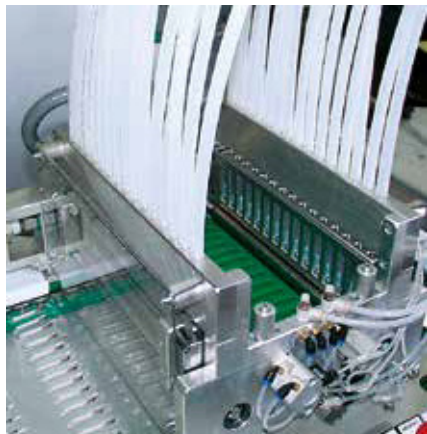


**DOSING UNIT FOR LIQUID AND CREAMY PRODUCTS**



**DOSING UNIT WITH AUTOMATIC  
WEIGHER**

- EXIT PACKS CONVERGER
- SHRINKING CHAMBER
- AUTOMATIC LOADING SYSTEM FOR MEDICAL AND OTHER PRODUCTS
- CHAMBER LID LIFTER (CHECKWEIGHER)
- GAS-JET DEVICE (PATENT COLIMATIC)
- SYNCHRONIZATION UNIT
- BETWEEN DOSER AND MACHINE
- DOSING UNIT FOR MONOPORTION BUTTER
- DOSING UNIT FOR LIQUID AND CREAMY PRODUCTS
- LABELERS
- INTEGRAL CUTTING
- FILM JUNCTION DEVICE
- MOULDED SEALING GASKET
- GAS INJECTION WITH NOZZLE-BAR AUTOMATIC CENTRALIZED LUBRICATION SYSTEM
- HOTFOIL/INK-JET
- THERMAL TRANSFER PRINTER
- METAL DETECTOR
- AUTOMATIC WEIGHER DOSING UNIT
- SEALING PLATE FOR WET SURFACES
- BOOSTER VACUUM PUMP
- TWIN-REEL HOLDERS
- JUMBO REEL HOLDERS
- COOLING SYSTEM WITH CHILLER
- LONGITUDINAL SCISSORS CUTTING
- (UP TO 3 MM SCRAPS REMOVAL)



**AUTOMATIC FEEDERS FOR  
MEDICAL AND OTHER PRODUCTS**



COMPONENTS & OPTIONS	450	650
Pivoting touch-screen control panel	●	●
Preheating station (Sandwich System)	○	○
Preheating station (Double Sandwich System)	—	○
Cooling system with chiller	—	○
Vacuum installation	○	○
Modified atmosphere	○	○
Gas mixer	○	○
Remote instillation of pneumatic groups	●	●
Removable safety covers	●	●
Hinged chamber lid	—	○
Double Reelholder	—	○
JUMBO Reelholder	—	○
Integral cutting (COLIMATIC patent 00250543)	—	○
Motorized longitudinal cutting	●	●
Squeezing cutting system with perforation capability	○	○
Longitudinal scissors cutting	○	○
Longitudinal scissors cutting with 3 mm-scrap removal	○	○
Scraps canister	○	○
Special safety covers for difficult environments	○	○
Forming plug	○	○
Automatic adjustment of packs depth	—	○
Shrinking chamber	—	○
Film junction device	—	○
IP65 protection	●	●
Products program management	●	●
Multi-languages operator menu	●	●
Automatic vacuum test	●	●
Machine cleaning cycle	●	●
Unformed trays checker	●	●
Multiple cutting function	●	●
Mark control photocell	●	●
Thermo-regulation with microprocessor	●	●
Check up and alarms visualization function	●	●
Check up and video messages function with help information	—	○
Half index function	○	○
UL and CSA machine configuration	○	○
Loading area with vibration unit	○	○
Loading area with conforming unit	○	○
Synchronisation with external devices	○	○
Automatic air and water discharge+A10	○	○
Automatic mould change (COLIMATIC Patent 12220466)	Only on THERA 650	

● Available    ○ Optional    — Not Available