

Automatic Strapping Machine - Up to 65 straps per minute

The PC1000 is an innovative high speed automatic strapping machine. It is equipped with all industry standard features. The PC1000 offers optimal performance, high cycle speed and easy maintenance. This machine is the most cost effective solution to your strapping requirements in its class today.

STANDARD FEATURES

- Cycle speed is up to 65 straps per minute (depending on arch size)
- German DC brush-less motor technology
- No belts, clutches, or pulleys. 30% fewer parts, less maintenance and items to go wrong
- Waist high quick change coil and strap feed
- Easy access operating control panel
- Easy access strap chute-no tools required
- Front foot-bar pedal plus movable foot switch
- One piece strap chute
- Sensor controlled heater
- End of coil strap ejector/loop ejector
- Electronic brake / Auto loader
- Adjustable table height from 32" to 36"
- Lockable casters
- Choice of arch sizes
- Roller top standard on arches 33" wide or wider



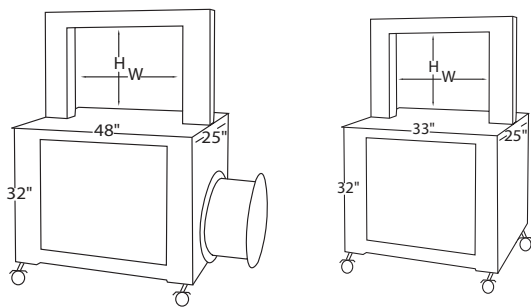
BENEFITS

- Increase Throughput - Up to 65 Straps per Minute
- Reduced Maintenance Costs - Fewer Parts/DC Brush-less Motors
- Experience Less Downtime - Extra Long Length Coils

SPECIFICATIONS

Cycle Rate:	Up to 65 straps per minute depending on arch and package size
Package Weight:	Up to 100 lbs.
Strap Tension:	Up to 100 lbs.
Polypropylene Strap:	5mm, 6mm, 9mm, 12mm 1/4, 3/8, 1/2
Electrical Requirements:	110V 60Hz 1 Phase
Optional:	Photo eye activation
Shipping Weight:	450 lbs.

DIMENSIONS



Standard PC1000 **Compact PC1000**

STANDARD PC1000

(12MM, 1/2")

		WIDTH						
		25	33	49	65	72	80	88
HEIGHT	19							
	23							
	31							
	39							

■ Stocked Arch Sizes ■ 12 week Special Order Basis □ Non-Shaded are unavailable

COMPACT PC1000

INTERNAL DISPENSER (5MM - 3/8")

		WIDTH						
		25	33	49	65	72	80	88
HEIGHT	19							
	23							
	31							
	39							

Also Available: PC1000SP small package machine capable of strapping packages as small as 1.7" W x 3/8" H.