

## Automatic Strapping Machine - Up to 55 Straps per minute

The RQ-8x is the evolution of one of StraPack's most popular and longest selling models, the RQ-8. The new RQ-8x offers a higher strapping speed along with the same reliability, intuitive operation and ease of maintenance that the market has come to expect. These features reinforce the market leading position of the RQ-8 series machines.

### High Speed

Up to 55 straps per minute (even with tension applied).

### Anti-Jam Function

If the RQ-8x is operated accidentally without a package in place, the strap will form a loop, leaving the machine ready for the next cycle.

### Easy Strap Loading

Strap loading is as easy as a touch of a lever. There is no need to thread the strap.

### Automatic Re-feed

In case of a feeding issue, the machine will re-feed the strap automatically.

### Easy Maintenance

Self-lubricating design reduces wear and tear and increases operational life.

### Advanced Heater Design

RQ-8x is ready to operate in less than 25 seconds, contributing to increased packaging line efficiencies.

### Portable

Heavy-duty metal casters allow the RQ-8x to be quickly moved to any single phase power supply outlet.

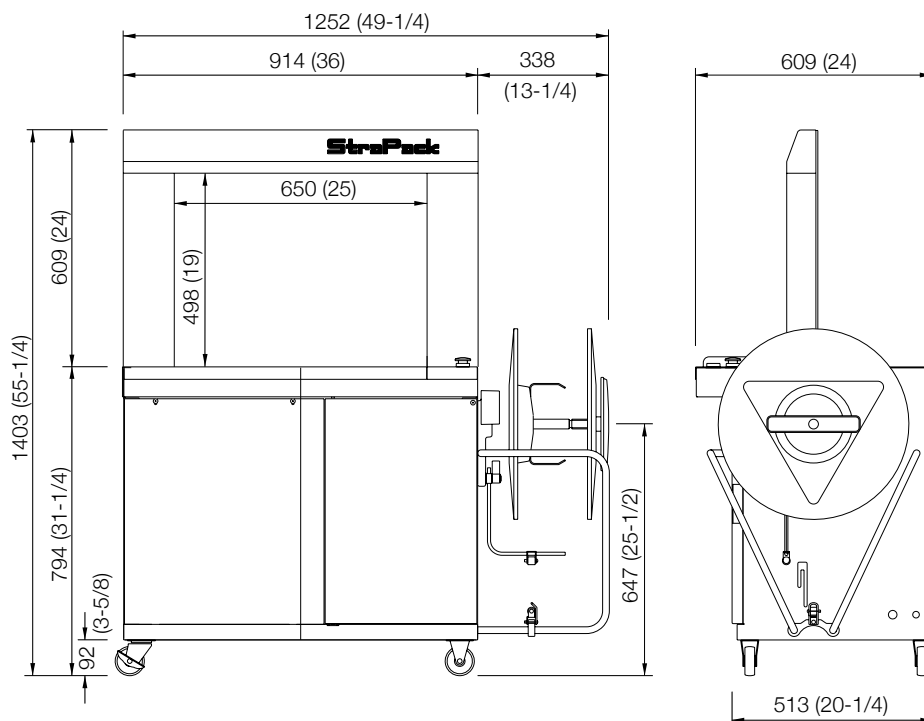
### Variable Tension

A wide range of tension is available via a digitally controlled tension dial. Tension capability is up to 80kgf or 176lbs (equivalent of 150mm or 6" stroke). Unlike many other machines in the market, tension does not compromise the cycle speed.



## SPECIFICATIONS

Width	1252 mm	49-1/4 in.
Height	1403 mm	55-1/4 in.
Depth	609 mm	24 in.
Weight	160 kg	353 lbs
Table Height	794 mm	31-1/4 in.
Min. Package Size	W 620 X H 480 mm	W 24-1/2 X H 18-7/8 in.
Max. Package Size	W 80 X H 30 mm	W 3-1/8 X H 1-1/4 in.
Joint/Strap/ Coil	heat seal / polypropylene ID 200 X OD 450 X W 200 mm	heat seal / polypropylene ID 8 X OD 18 X W 8 in.
Strap Width	5, 6, 9, 12, (15.5) mm	5mm, 1/4, 3/8, 1/2,(5/8) in.
Power Supply	100, 120, 200, 220, 230, 240V single phase 50 / 60Hz 0.9KVA	



Errors and changes reserved. All logos and brands used are registered trademarks or brands of the manufacturer.